



The TUBE system luminaire provides effective lighting for machinery and equipment, with M12 connectors for standardised connection.

The luminaire is easy to mount, rotates and offers a circuit-independent service life of 50,000 operating hours.

Depending on the application, you can choose different materials for the tubes: the TUBE is available in chemical-resistant borosilicate glass and in impact-resistant polycarbonate.

Fluctuating temperatures, oil, water or various chemicals therefore affect neither the luminosity nor the service life.

IP67

RoHS
compliant



Made in
Germany



IK07

IK08

Borrow a sample now

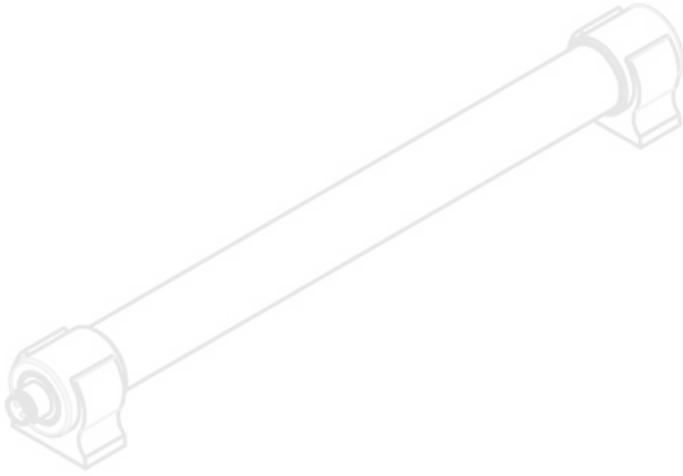


Specifikationer

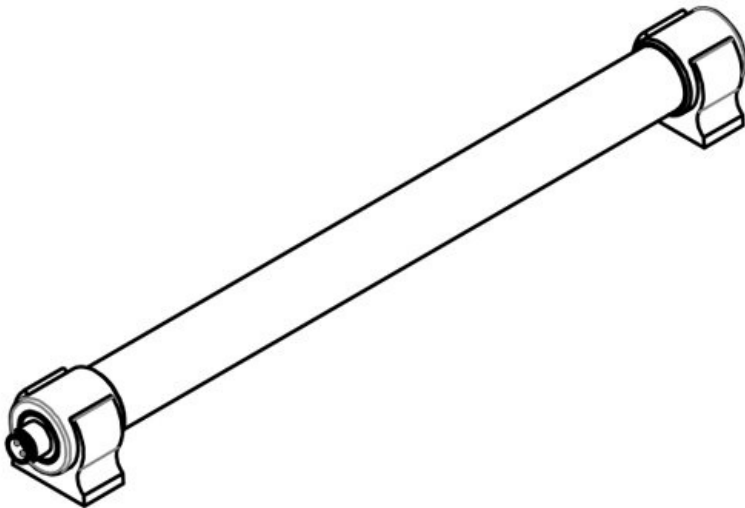
IP-Klass (EN 60529)	IP67
Protection class	III (Protective extra-low voltage)
Material	Tube: Polycarbonate Tube: Borsilikatglas Ändkapslar: Rostfritt stål
Brandklass	
Temperatur	-20 C° till 50 C°
Monteringstyp	Snap-in

Produkttyper och storlekar

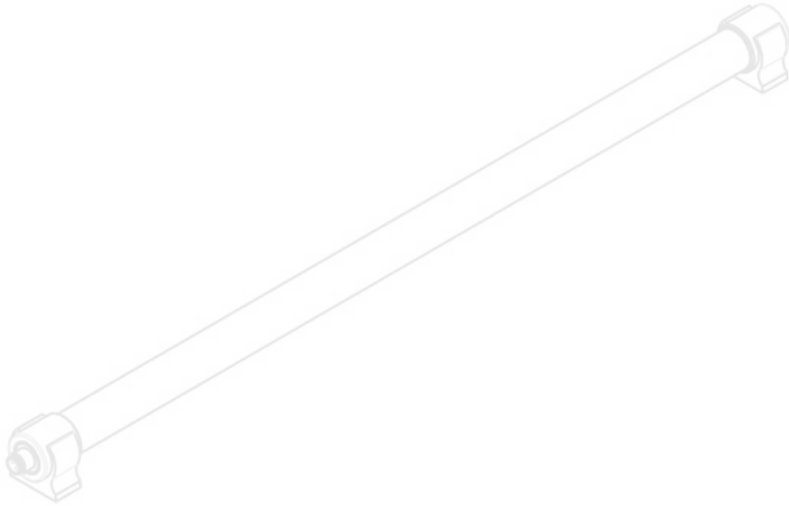
Fördelar



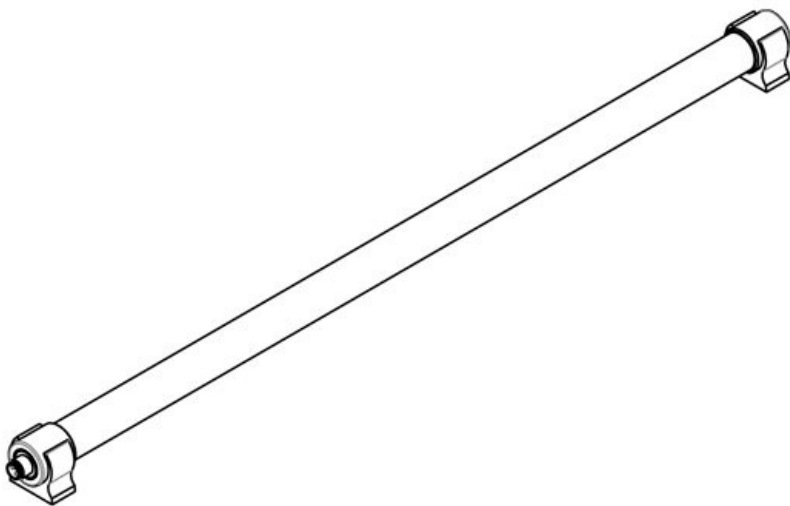
ArtNr.	81502	End cap diameter	28 mm
EAN	4251269333	Connection possibilities	M12 connector
Antal	1	Plugg typ	M12 flange socket
Längd	296,1 mm	Rated power	8 W
Höjd	36 mm	Operating voltage	24 V, DC ±5%
Bredd	34 mm	Service life	50.000 h
Tube diameter	24 mm	Energy efficiency class	E
		Consumption kWh/1000 h	13
		Colour temperature	5.600 K
		Colour rendering index CRI	>80
		Luminous flux	1.000 lm
		Material tube	Polycarbonate



ArtNr.	81503	End cap diameter	28 mm
EAN	4251269333	Connection possibilities	M12 connector
Antal	1	Plugg typ	M12 flange socket
Längd	331,1 mm	Rated power	11,2 W
Höjd	36 mm	Operating voltage	24 V, DC ±5%
Bredd	34 mm	Service life	50.000 h
Tube diameter	24 mm	Colour temperature	5.000 K
		Colour rendering index CRI	>80
		Luminous flux	1.650 lm
		Material tube	Borsilikatglas



ArtNr.	81500	End cap	28 mm
EAN	4251269333	diameter	
	118	Connection	M12
Antal	1	possibilities	connector
Längd	565,1 mm	Plugg typ	M12 flange
Höjd	36 mm		socket
Bredd	34 mm	Rated power	13 W
Tube diameter	24 mm	Operating	24 V, DC
		voltage	±5%
		Service life	50.000 h
		Energy	E
		efficiency class	
		Consumption	13
		kWh/1000 h	
		Colour	5.600 K
		temperature	
		Colour	>80
		rendering	
		index CRI	
		Luminous flux	1.700 lm
		Material tube	Polycarbonat
			e



ArtNr.	81504	End cap	28 mm
EAN	4251269333	diameter	
	156	Connection	M12
Antal	1	possibilities	connector
Längd	615,1 mm	Plugg typ	M12 flange
Höjd	36 mm		socket
Bredd	34 mm	Rated power	16,8 W
Tube diameter	24 mm	Operating	24 V, DC
		voltage	±5%
		Rated current	1,08 A
		Service life	50.000 h
		Colour	5.000 K
		temperature	
		Colour	>80
		rendering	
		index CRI	
		Luminous flux	2.775 lm
		Material tube	Borsilikatglas
			s



ArtNr.	81501	End cap diameter	28 mm
EAN	4251269333	Connection possibilities	M12 connector
Antal	1	Plugg typ	M12 flange socket
Längd	1.074,6 mm	Rated power	26 W
Höjd	39 mm	Operating voltage	24 V, DC ±5%
Bredd	30,4 mm	Rated current	1,0 A
Tube diameter	24 mm	Service life	50.000 h
		Energy efficiency class	E
		Consumption kWh/1000 h	13
		Colour temperature	5.600 K
		Colour rendering index CRI	>80
		Luminous flux	3.400 lm
		Material tube	Polycarbonate



ArtNr.	81530	Material cable sheath	Polyurethane
EAN	4251269333		e
Antal	1		
Length connecting cable	5.000 mm		
Plugg typ	M12 connector, Ferrules		
Operating voltage	24 V DC ±5%		
Färg	svart		



ArtNr. **81531** Material cable **Polyurethan**
EAN **4251269333** sheath **e**
170
Antal **1**
Length connecting cable **10.000 mm**
Plugg typ **M12 connector, Ferrules**
Operating voltage **24 V DC ±5%**
Färg **svart**



ArtNr. **91443** Antal skruvhål **1**
EAN **4251269335** Skruvhålens diameter **6,5 mm**
082
Antal **2**
Längd **30 mm**
Höjd **38 mm**
Bredd **27 mm**
Färg **svart**

ArtNr.	91070	Färg	svart
EAN		Antal skruvhål	1
Antal	1	Skruvhålens diameter	4,2 mm
Längd	18,4 mm		
Höjd	34 mm		
Bredd	34 mm		
End cap diameter	28 mm		



icotek[®]
smart cable management