

IP66 / IP67 / IP69K



IP66 IP67 IP69K RoHS compliant REACH COMPLIANCE Made in Germany

IP66/IP67/IP69K is a high-pressure, high-temperature resistant connector. It is suitable for use in harsh environments. The IP66 rating ensures protection against dust and water jets. The IP67 rating ensures protection against dust and temporary immersion in water. The IP69K rating ensures protection against dust and high-pressure, high-temperature water jets.

The connector has a diameter of $\varnothing 50.5 (+0.5\text{mm})$ and a union thread. It is made of high-quality plastic and is suitable for use in harsh environments.

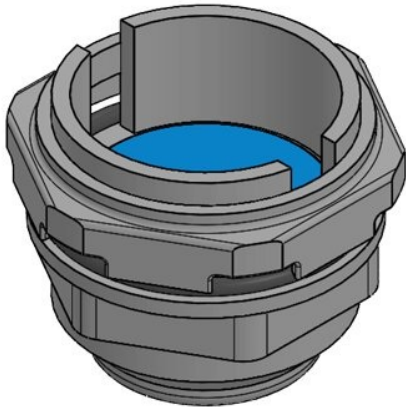
IP (EN 60529)	IP66, IP67, IP69K
Temperature range	-45 C° to 70 C°
Material	PA66 GF30

Features

- IP66/67, IP69K high-pressure, high-temperature resistant
- High-pressure, high-temperature resistant
- High-pressure, high-temperature resistant
- High-pressure, high-temperature resistant
- High-pressure, high-temperature resistant

Dimensions

Thread M50



EAN	99193 4251269324789	Thread	50,5 mm M50 x 1,5
Material	1 49,5 mm 60 mm 60 mm 28,5 mm	Flow rate (5mm hole)	200 ml/h