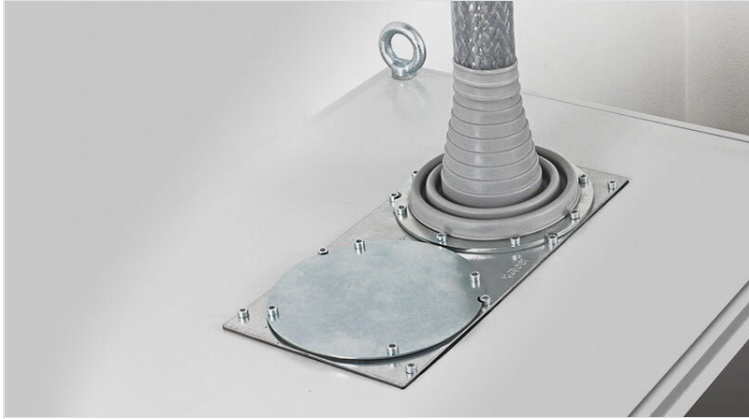


MP modular gland plates

for electrical enclosures / IP54



IP54

RoHS
compliant

REACH
COMPLIANCE

Made in
Germany

The module plates have cut-outs for fixing the KEL range cable entry systems [KEL 24](#), [KEL-U 24](#), [KEL-QUICK 24](#), [KEL-JUMBO](#), [KEL-DPF](#), [KEL-JUMBO flex](#) and [KEL-ULTRA flex](#).

The module plates can be installed on:

- Separation walls by Rittal
- closed enclosure bases and roofs (various manufacturers)
- Bases of Rittal enclosures via KDR-BMP gland plates

The module blank plate without cut-outs (Order No. 43882) is designed for closing unused cut-outs. This module plate can even be used for self-made cut-outs.

Module plates are supplied with a gasket.

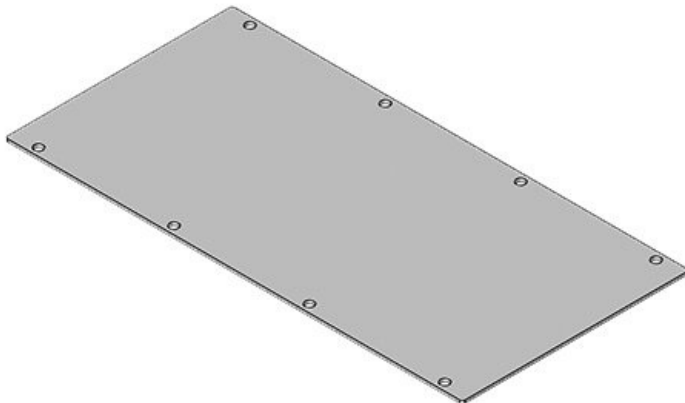
Specifications

IP rating (EN 60529)	IP54
Material	Steel, zinc plated Aluminium

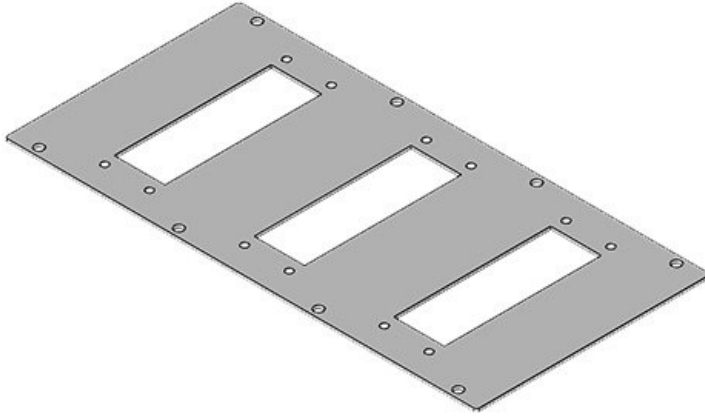
Advantages & benefits

Product types & sizes

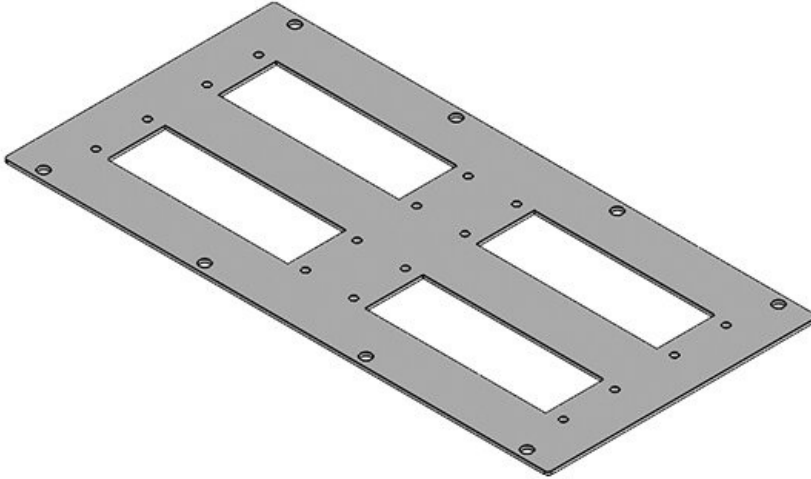
MP 0



Part No.	43882
EAN	4251269310898
Package quantity	1
Length	338 mm
Width	168 mm
Height	2 mm
Suitable for enclosure	Rittal VX25, Rittal TS 8

MP 1

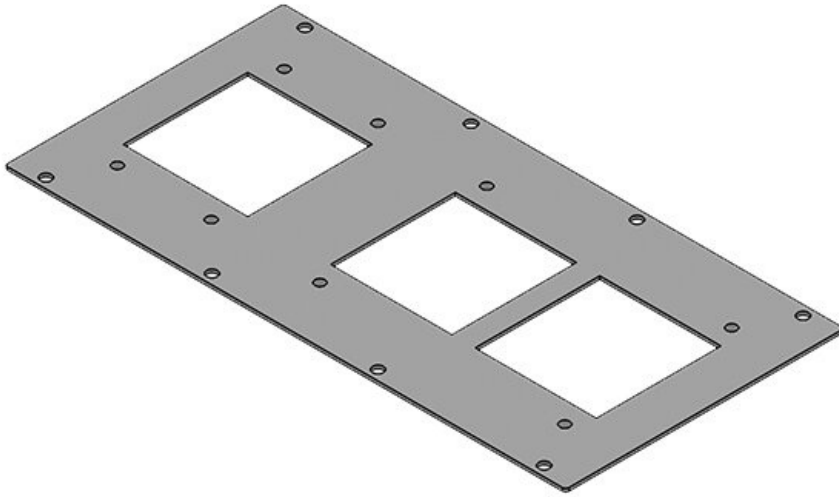
Part No.	43891	Suitable for	3 × KEL 24 /
EAN	4251269310	cable entry	KEL-U 24 /
	966	systems:	KEL-FA 24 /
Package	1		KEL-QUICK
quantity			24
Length	338 mm	Suitable for	Rittal VX25,
Width	168 mm	enclosure	Rittal TS 8
Height	2 mm		
Cut-out size	112 × 36 mm		

MP 2

Part No.	43890	Suitable for	4 × KEL 24 /
EAN	4251269310	cable entry	KEL-U 24 /
	959	systems:	KEL-FA 24 /
Package	1		KEL-QUICK
quantity			24
Length	338 mm	Suitable for	Rittal VX25,
Width	168 mm	enclosure	Rittal TS 8
Height	2 mm		
Cut-out size	112 × 36 mm		

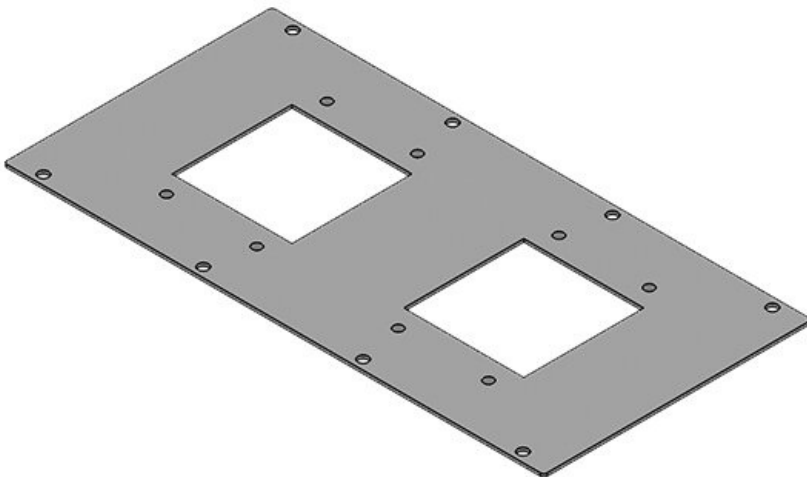
MP 3

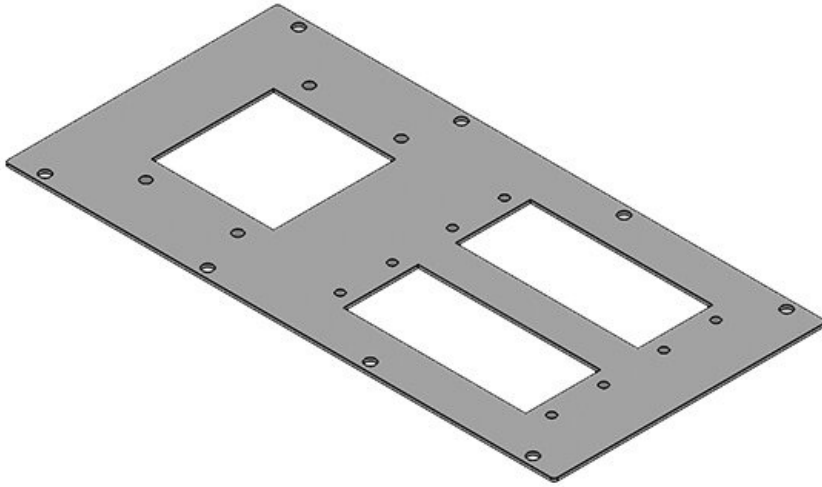
Part No.	43886	Suitable for	Rittal VX25,
EAN	4251269310	enclosure	Rittal TS 8
	911		
Package quantity	1		
Length	338 mm		
Width	168 mm		
Height	2 mm		
Suitable for cable entry systems:	1 x KEL-JUMBO 1, 1 x KEL-JUMBO 2		



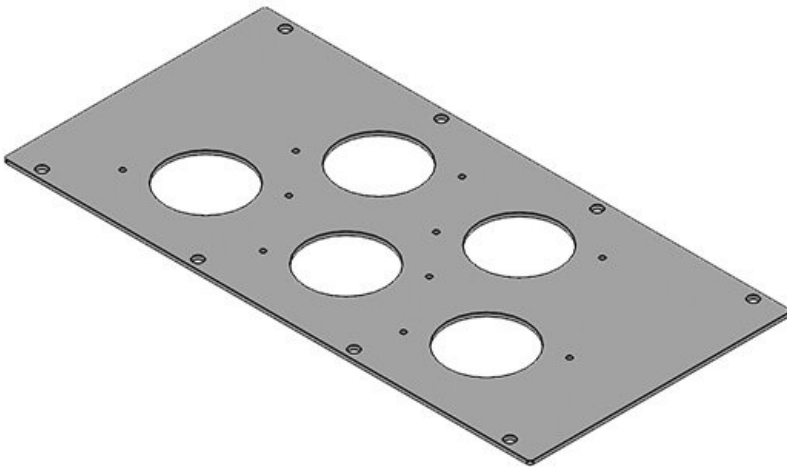
MP 4

Part No.	43888	Suitable for	Rittal VX25,
EAN	4251269310	enclosure	Rittal TS 8
	935		
Package quantity	1		
Length	338 mm		
Width	168 mm		
Height	2 mm		
Suitable for cable entry systems:	2 x KEL-JUMBO 1		



MP 5

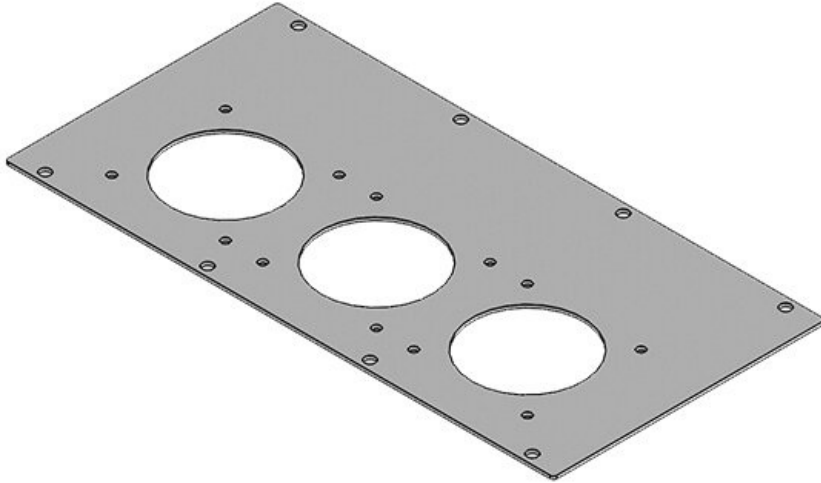
Part No.	43887	Suitable for	2 × KEL 24 /
EAN	4251269310	cable entry	KEL-U 24 /
	928	systems:	KEL-FA 24 /
Package	1		KEL-QUICK
quantity			24, 1 × KEL-
Length	338 mm		JUMBO 1
Width	168 mm	Suitable for	Rittal VX25,
Height	2 mm	enclosure	Rittal TS 8
Cut-out size	112 × 36 mm		

MP 6

Part No.	43883	Suitable for	5 × KEL-DPZ
EAN	4251269310	cable entry	50 / KEL-
	904	systems:	DPZ-HD 50 /
Package	1		KEL-DPZ-
quantity			CLICK 50 /
Length	338 mm		KEL-SCDP-TR
Width	168 mm		50 / KEL-DPF
Height	2 mm		50
Cut-out size,	50,4 mm	Suitable for	Rittal VX25,
round		enclosure	Rittal TS 8

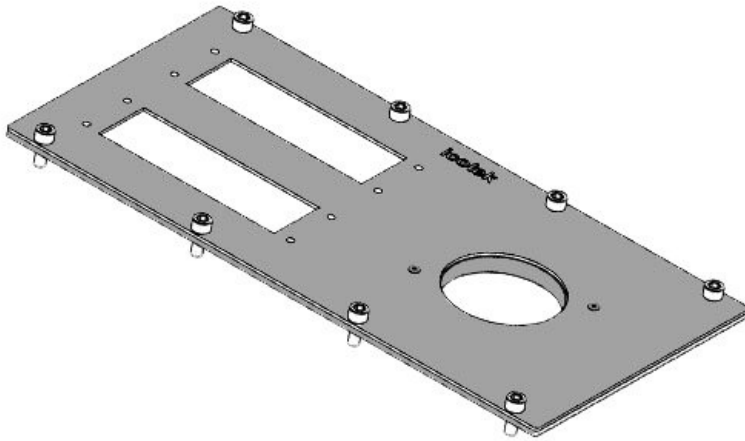
MP 7

Part No.	43889	Suitable for	3 × KEL-
EAN	4251269310	cable entry	JUMBO flex
	942	systems:	
Package	1	Suitable for	Rittal VX25,
quantity		enclosure	Rittal TS 8
Length	338 mm		
Width	168 mm		
Height	2 mm		
Cut-out size,	75,5 mm		
round			

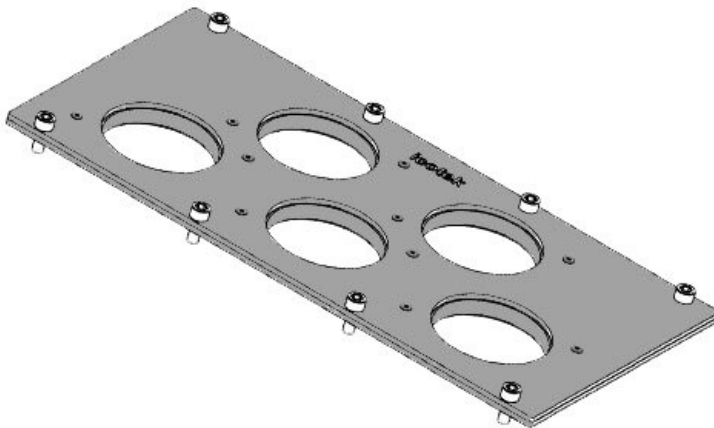
**MP 8**

Part No.	43894	Suitable for	2 × KEL-
EAN	4251269310	cable entry	ULTRA flex
	973	systems:	
Package	1	Suitable for	Rittal VX25,
quantity		enclosure	Rittal TS 8
Length	338 mm		
Width	168 mm		
Height	3 mm		
Cut-out size,	140 mm		
round			





Part No.	43896	Cut-out size,	63,4 mm
EAN	4251269320	round	
Package quantity	1	Suitable for cable entry systems:	2 × KEL 24 / KEL-U 24 / KEL-FA 24 / KEL-QUICK 24, 1 × KEL-DPZ 63 / KEL-DPZ-CLICK 63 / KEL-DPF 63
Length	338 mm		
Width	168 mm		
Height	2 mm		
Cut-out size	112 × 36 mm		
		Suitable for enclosure	Rittal VX25, Rittal TS 8



Part No.	43899	Suitable for cable entry systems:	5 × KEL-DPZ 63 / KEL-DPZ-HD 63 / KEL-DPZ-CLICK 63 / KEL-SCDP-TR 63 / KEL-DPF 63
EAN	4251269319		
Package quantity	1		
Length	338 mm		
Width	168 mm		
Height	3 mm		
Cut-out size, round	63,4 mm	Suitable for enclosure	Rittal VX25, Rittal TS 8